



ROOF RACKS BY

SAMMITR AUSTRALIA EcoRack ROOF BARS ASSEMBLY & INSTALLATION INSTRUCTION

Part # 800221

For use with SMM V2/V4 Hardtops

The installation kit contains sufficient components for fitment. Do not substitute any components. A high degree of technical competence is necessary to correctly install this product. We recommend these roof bars be installed by an authorised dealer to ensure the installation complies with the requirements of AS1235-2000 (ISO/PAS 11154 2006). This product is designed and rated for use within the standard specification and operating conditions of the vehicle. Vehicle and/or product modification, misuse or abnormal operation can compromise the performance and operation of this product and/or vehicle and is therefore not endorsed. These instructions must be read and clearly understood before commencing installation.

Installation time - Approximately 0.75 Hours

"The estimated fitting time is based on an experienced fitter conversant with the fitment procedure"



WARNINGS

- **Strict compliance with fitting instructions is essential for this product to meet its rated capacity.**
- **Do not modify roof bars in any way.**
- **Do not use these roof bars on any other vehicle for which it is not designed.**
- **Modifications to the roof bars or its fixings or use on any other vehicle for which it is not designed may void the load rating and warranty.**
- **Where high tensile threaded fasteners are used, the roof bars must be installed using the size and grade fasteners specified by Milford Industries.**
- **Always use the supplied Anti Seize compound on stainless steel threaded components to prevent threads binding.**

TOOLS REQUIRED

- | | |
|---------------------------|--------------------------------|
| • Allen Key - 5mm | • Hex Driver Bit - 5mm |
| • Socket Wrench | • Driver Bit To Wrench Adaptor |
| • Socket - 13mm | • Torque Wrench (15Nm) |
| • Ring Spanner - 13mm | • Suitable Work Platforms |
| • Phillips Screwdriver #1 | • Roof Protection Sheet |
| • Tape Measure | • Sharp Knife |



**SAMMITR AUSTRALIA EcoRack ROOF BARS
ASSEMBLY & INSTALLATION INSTRUCTION**

Part # 800221

For use with SMM V2/V4 Hardtops





SAMMITR AUSTRALIA EcoRack ROOF BARS ASSEMBLY & INSTALLATION INSTRUCTION

Part # 800221

For use with SMM V2/V4 Hardtops

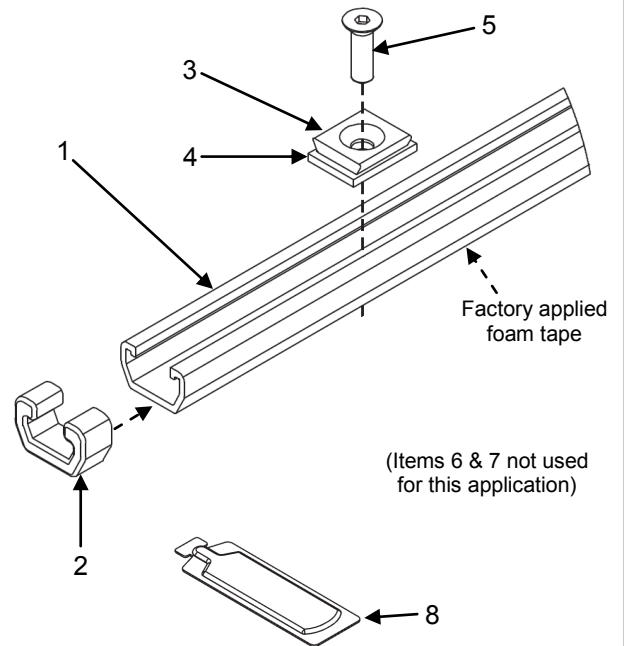


IMPORTANT: The installation kit contains sufficient components to fit the accessory. A high degree of technical competence is necessary to correctly install this product. We recommend this accessory be installed by an authorised dealer to ensure the installation is correct. These instructions must be read and clearly understood before commencing installation. Check contents of kit before commencing fitment and report any discrepancies or damage.

Parts List

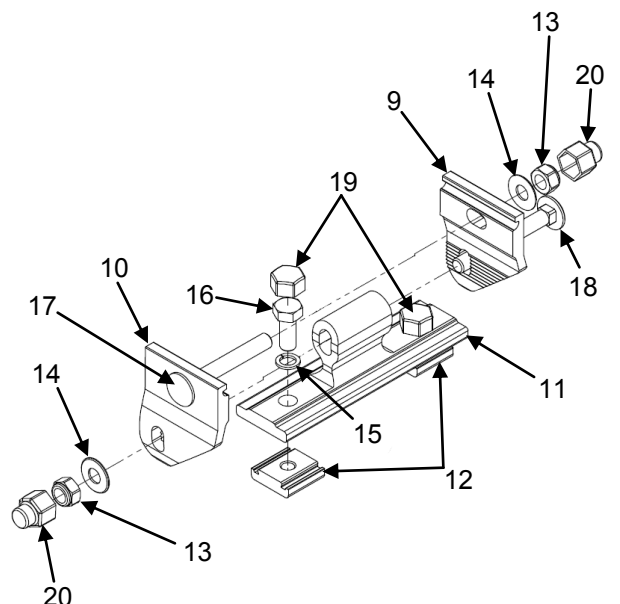
Roof Mounting Channels and Mounting Hardware (AC41)

Item	Component Name	Part No.	Qty
1	Mounting Channel (1120mm)	AC41-1	2
2	Cap - Mounting Channel	CAP-3110	4
3	Channel Connecting Plate (6mm)	BRT-1119	8
4	Neoprene Pad	FST-0002	12
5	CSK Socket Screw - M6 x 30 SS	BLF-1030-M6	8
6	Channel Connecting Plate (5mm)	BRT-1120	4
7	CSK Socket Screw - M5 x 30 SS	BLF-1030-M5	4
8	Anti Seize Compound	ASZ-0101	1



Cross Bar Mounts (AM02S)

Item	Component Name	Part No.	Qty
9	Support Post LH	BRT-1163	4
10	Support Post RH	BRT-1164	4
11	Channel Foot	BRT-1884	4
12	Channel Nut (M8)	NBR-1011	8
13	Hex Nut - Nyloc, M8 SS	NUT-1002-M8	8
14	Washer - Flat, 8mm SS	WSH-1001-G	8
15	Washer - Spring, 8mm SS	WSH-1002-G	8
16	Screw - Hex Head, M8 x 20 SS	BLT-1020-M8	8
17	Bolt - Coach, M8 x 60mm SS	BLC-1060-M8	4
18	Bolt - Coach, M8 x 65mm SS	BLC-1065-M8	4
19	Hex Screw Caps (Plastic)	CAP-3312-G	8
20	Hex Nut Caps (Plastic)	CAP-3313-G	8



E and OE—Errors and Omissions Excepted



SAMMITR AUSTRALIA EcoRack ROOF BARS ASSEMBLY & INSTALLATION INSTRUCTION

Part # 800221

For use with SMM V2/V4 Hardtops

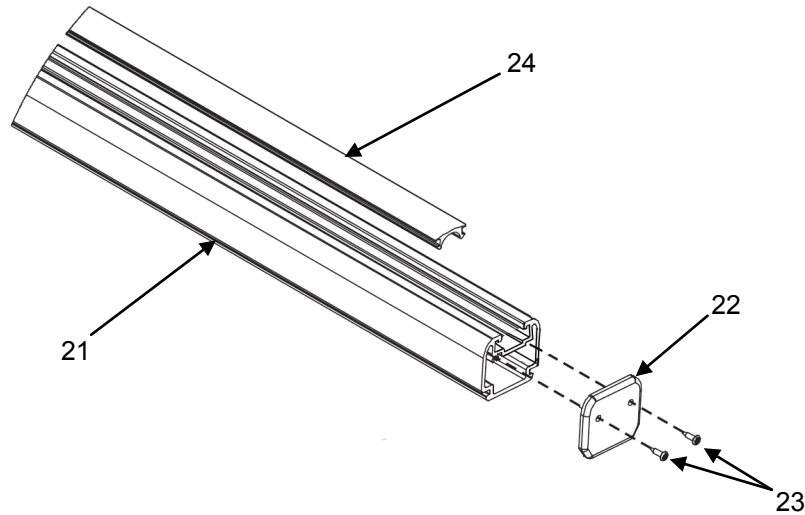


IMPORTANT: The installation kit contains sufficient components to fit the accessory. A high degree of technical competence is necessary to correctly install this product. We recommend this accessory be installed by an authorised outlet to ensure the installation is correct. These instructions must be read and clearly understood before commencing installation. Check contents of kit before commencing fitment and report any discrepancies or damage.

Parts List

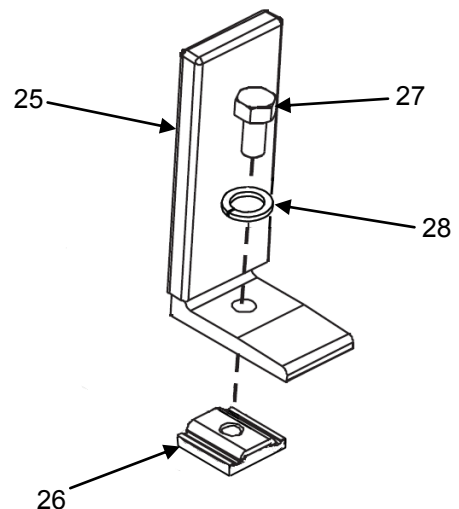
Cross Bars (AB4)

Item	Component Name	Part No.	Qty
21	Alubar Roof Bar (1245mm)	AB4	2
22	Bar Cap	CAP-3141	4
23	Screw - Phillips Head, Self Tap. SS	BLP-1075	8
24	Rubber Strip	Ext-3009-067	2



Cargo Stops (BRT-8019)

Item	Component Name	Part No.	Qty
25	Cargo Stop ASM	BRT-7019	4
26	Channel Nut (M8)	NBR-7011	4
27	Screw - M8 x 20mm SS	BLT-1020-M8	4
28	Washer - Spring, 8mm SS	WSH-1002-G	4
29	Washer - Flat, 8mm SS	WSH-1001-G	4



E and OE—Errors and Omissions Excepted



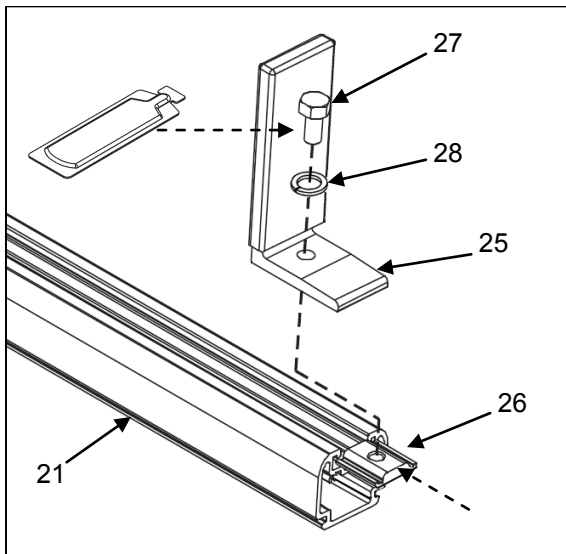
SAMMITR AUSTRALIA EcoRack ROOF BARS ASSEMBLY & INSTALLATION INSTRUCTION

Part # 800221

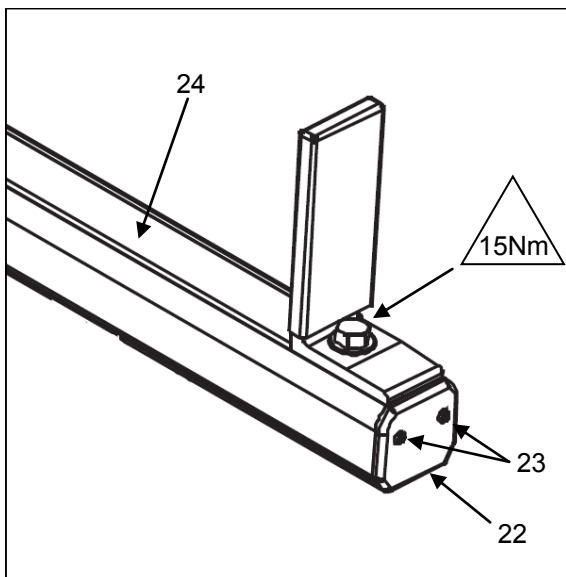
For use with SMM V2/V4 Hardtops



ASSEMBLY OF CROSS BARS



1. Slide a channel nut (26) into the end of the top profile of each cross bar (21).

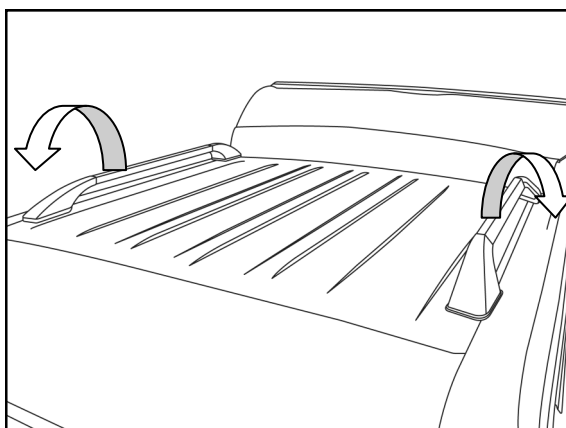


2. Apply anti seize compound to the threads of the M8 hex head screws (27).
3. Position a cargo stop (25) on top of the cross bar as shown, then secure it to the channel nut using hex screw (27) with spring washer (28) under head.
4. Tighten and torque up screw to 15Nm.
5. Repeat above for the other 3 cross bar ends.



6. Install the plastic caps (22) to the ends of cross bars using self tapping screws (23).
7. Cut the rubber strips (24) to length to fit between the cargo stops, then secure into the top of the cross bars.

REMOVE THE PLASTIC ROOF RAILS



8. Remove the factory fitted plastic roof rails from the hardtop by unclipping the screw covers and removing the securing screws. (These will not be reinstalled)



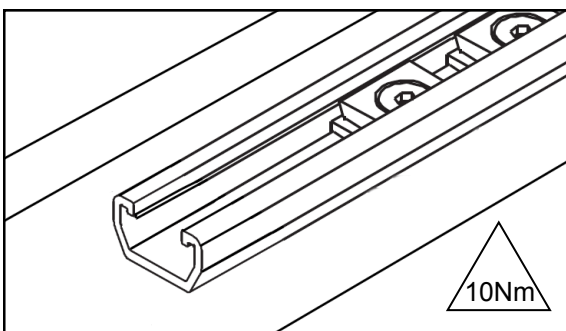
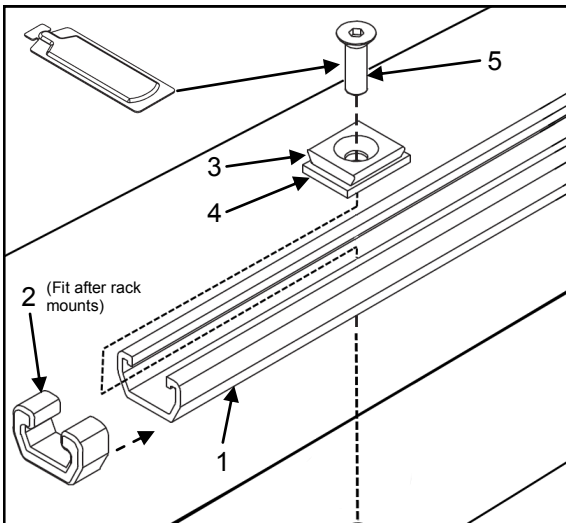
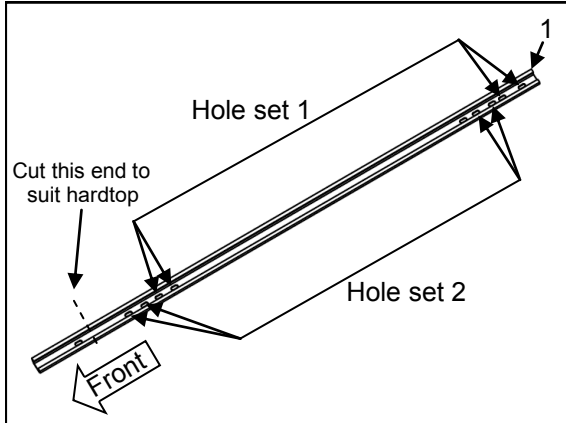
SAMMITR AUSTRALIA EcoRack ROOF BARS ASSEMBLY & INSTALLATION INSTRUCTION

Part # 800221

For use with SMM V2/V4 Hardtops



ASSEMBLY OF ROOF MOUNTING CHANNELS TO VEHICLE



9. The roof mounting channels are supplied with 2 sets of mounting holes to suit various hardtop styles. Lay the channels over the hardtop mounting holes and select the best set for the application.
10. In some cases the channels will be too long for the length of the hardtop roof. The channels should be cut to length to suit the hardtop, but keeping the channels as long as possible.
11. Affix a neoprene pad (4) to the bottom of each channel connecting plate (3) as shown.
12. Position the mounting channels (1) over the roof mounting points.
13. Slide the channel connecting plates (3) into the channels and position over each of the hardtop mounts. 4 per channel.
14. Apply anti seize compound (8) to the threads of the M6 CSK screws (5).
15. Thread an M6 CSK screw (5) through each of the channel connecting plates/ mounting channel and into the roof mounts.
16. Tighten and torque up the screws to 10Nm.



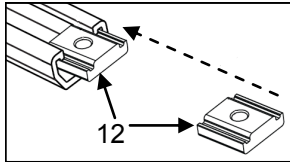
SAMMITR AUSTRALIA EcoRack ROOF BARS ASSEMBLY & INSTALLATION INSTRUCTION

Part # 800221

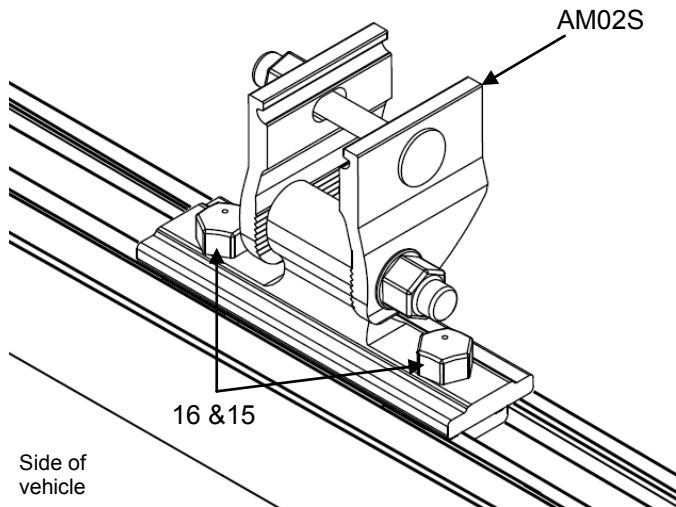
For use with SMM V2/V4 Hardtops



ASSEMBLY OF CROSS BAR MOUNTS TO ROOF CHANNELS

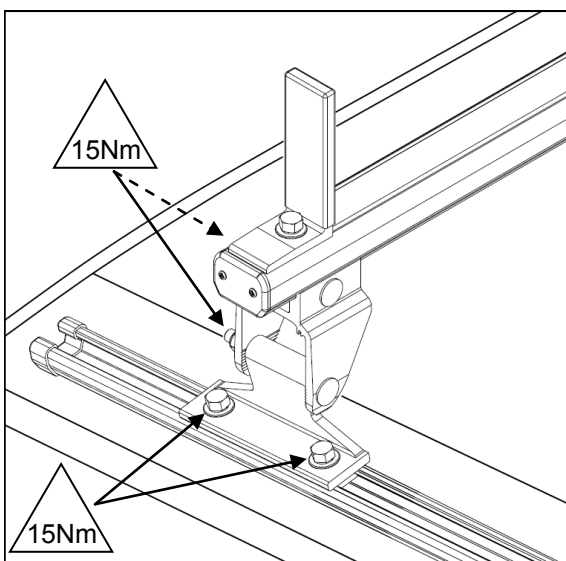


Apply to all
screw threads



- Slide 4 channel nuts (12) into each roof mounting channel.
- Position the channel nuts in pairs at the approximate locations to land under the cross bars, in the customers required positions.
- Apply anti seize compound (8) to the threads of the M8 hex head screws (16).
- Position a channel foot (11) on the roof mounting channel with the holes aligned with the channel nuts, and support post mount towards the centre of the vehicle .
- Loosely secure the channel foot to the channel nuts using M8 screws (16) with spring washers (15) under heads.
- Repeat for the other 3 mounts.
- Fit the roof mounting channel caps (2) to the ends of the channels.
- Loosely assemble the cross bar mounts (AM02S) as shown.

SECURE THE CROSS BARS TO THE CROSS BAR MOUNTS



- Position a cross bar ASM in between a cross bar mount support post pair.
- Loosely secure the cross bar in place.
- Check the distance of the cross bar mounts from the ends of the mounting channels on both sides of the vehicle, to ensure they are the same.
- Tighten and torque up the cross bar mount hex screws to 15Nm. (8 places)
Fit screw caps (19).
- Check the distance the cross bars hang outside the cross bar mounts on each side of the vehicle, and adjust until equal.
- Tighten and torque up the cross bar mount coach bolts to 15Nm.
- Fit nut & screw caps (19 & 20).